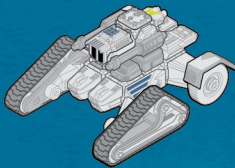


SNAP SHIPS™

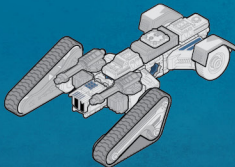
BUILD TO BATTLE®

SCYTHER

AV-19 TANK
BUILD #1 - P. 4



RF4 RECON
VEHICLE
BUILD #2 - P. 18





Download
the Snap Ships
app for
interactive
builds
and play

WELCOME TO THE FUTURE...

Where humanity is under constant attack from a brutal alien threat.

The Komplex spreads through the galaxy and growing stronger with each system they conquer, each species they defeat and assimilate. And now they are here.

To defeat them, humanity relies on an elite team, the Forge, who pilots an armada of spacecraft known as Snap Ships. Fast attack craft, armored bombers and so much more, the Snap Ships are designed to be modular to build the perfect ships for battle.

And these Snap Ships are the last shot they have at stopping the Komplex.

Are you ready to
►► BUILD TO BATTLE? ◀◀

THE MYSTERY OF UJU TECH

An ancient lost civilization, UJU KON, has left behind their advanced technology. Snapping this UJU tech into Snap Ships gives them unheard-of flying abilities and powerful new weaponry!

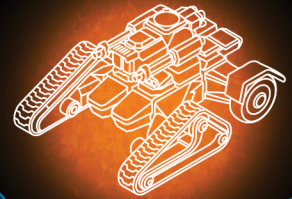
Watch Action-Packed Videos!



SCYTHER AV-19 Tank

Scythe is an all-terrain assault vehicle capable traversing previously inaccessible terrain, while also packing weapons to eliminate enemy land vehicles and structures. To do all of this, Scythe features:

- **MODULAR TREAD SYSTEM** with unmatched mobility and power racing, has a charge ion booster for extreme speed per discharge
- **ROTATING TURRET** for 360-degree traversing
- **TWIN TACHYON CANNONS** with anti-armor particle accelerator



SHIELD UP!

You have discovered the UJU tech dubbed the UX-ARG 36 Force Shield. When activated, the anti-matter repulsion generator creates a momentary force shield for a seemingly impenetrable defense within a maximum of 100,000 cubic meters.

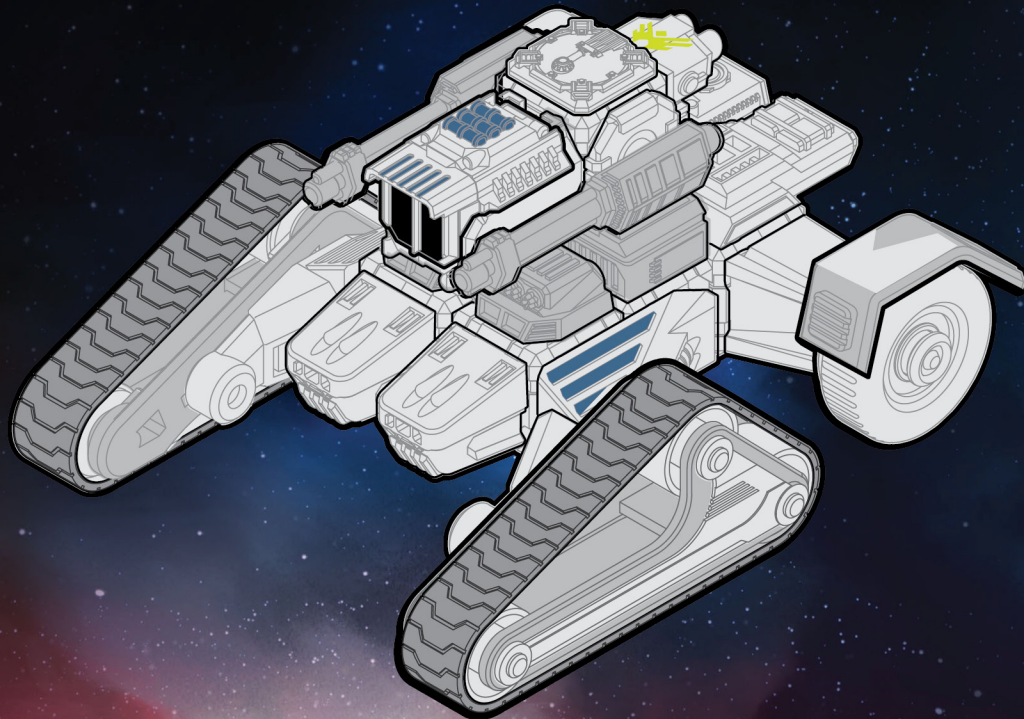
Are you ready to **BUILD TO BATTLE?**



2BELLS

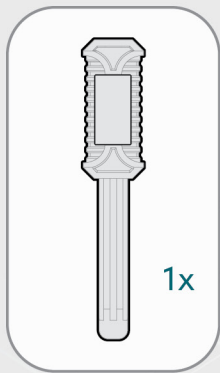


This vehicle is driven by 2Bells, the Forge's alien crew member who is always up for any adventure!

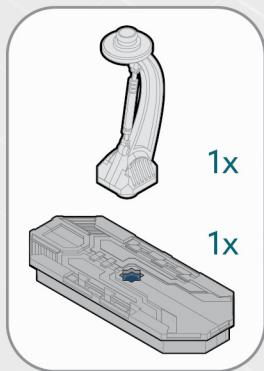
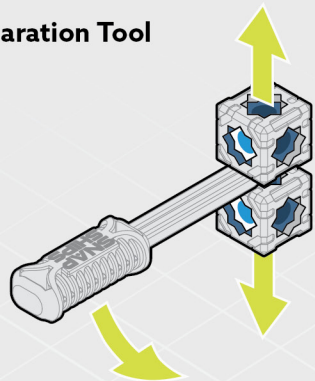


SCYTHER AV-19 TANK

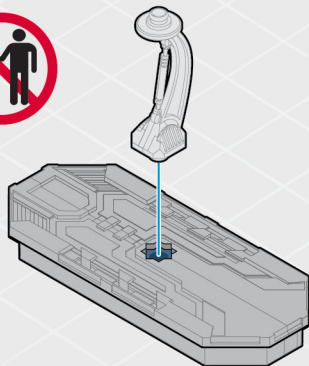
BUILD #1



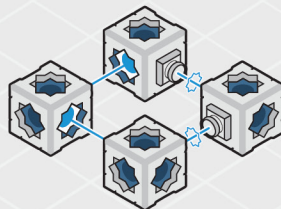
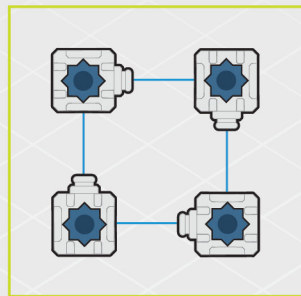
Separation Tool



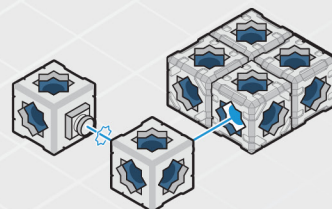
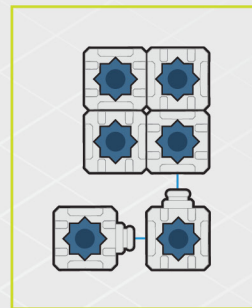
Box top is also a display stand



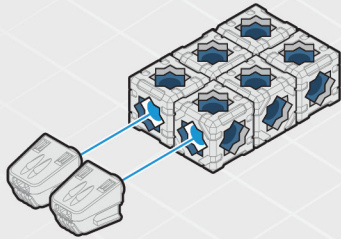
1



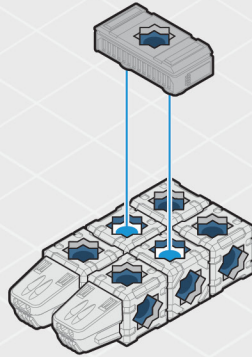
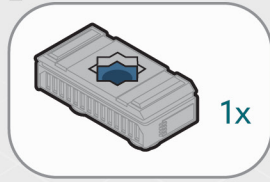
2



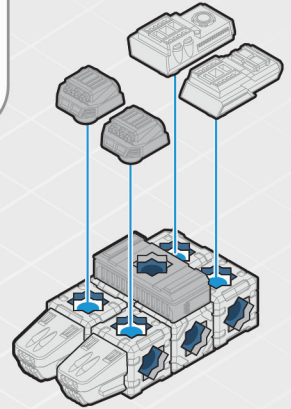
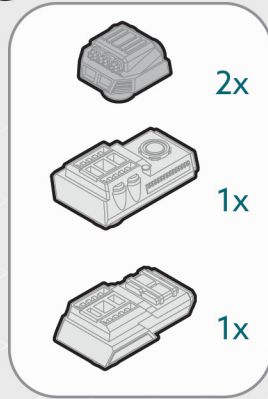
3



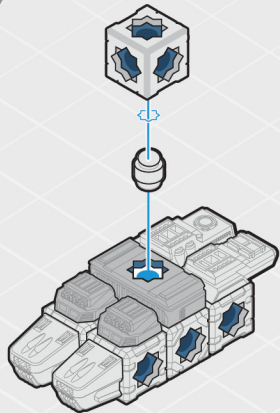
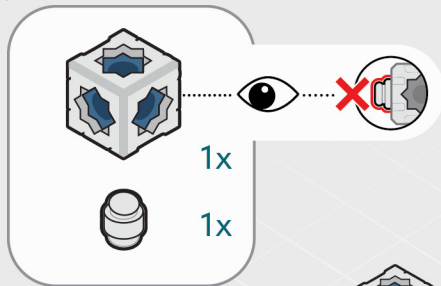
4



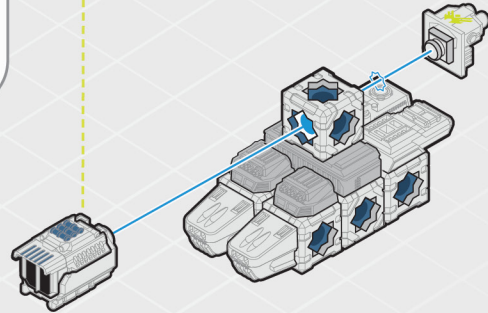
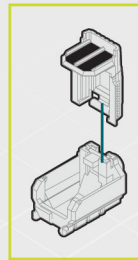
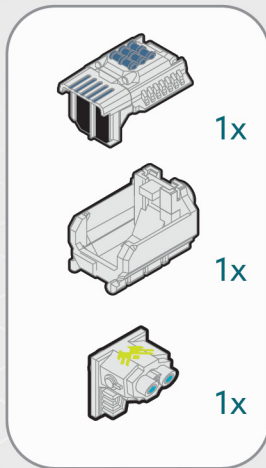
5



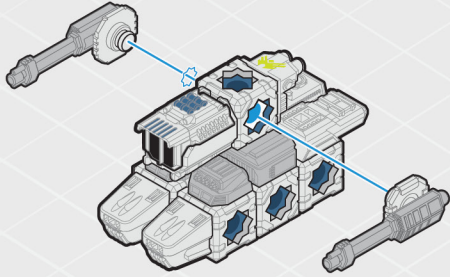
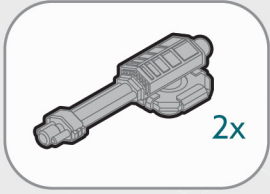
6



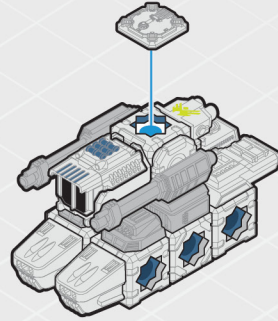
7



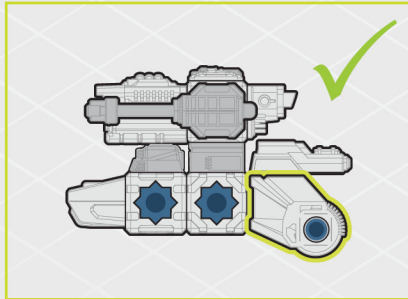
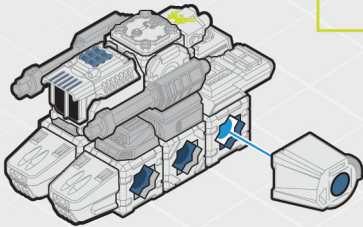
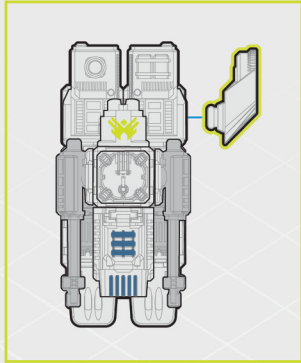
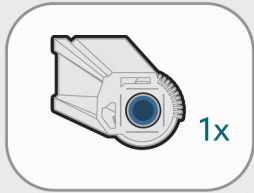
8



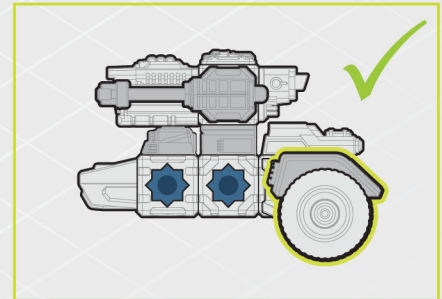
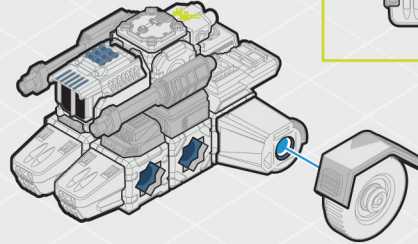
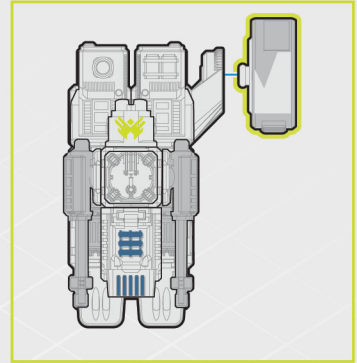
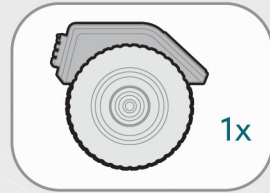
9



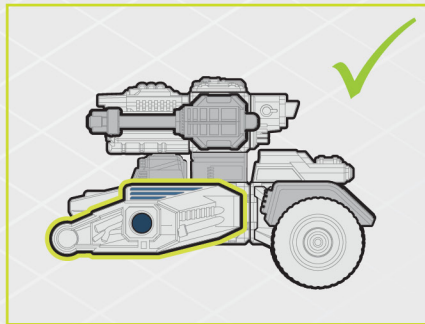
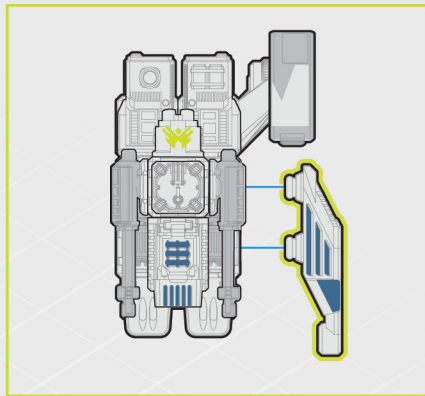
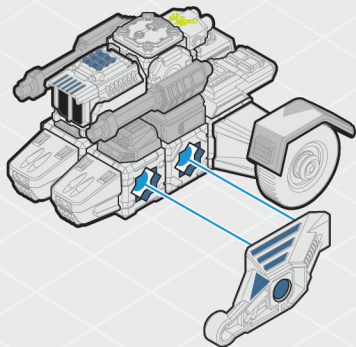
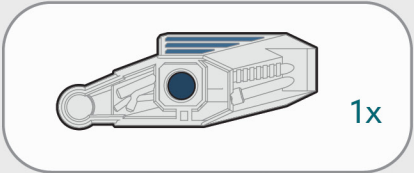
10



11

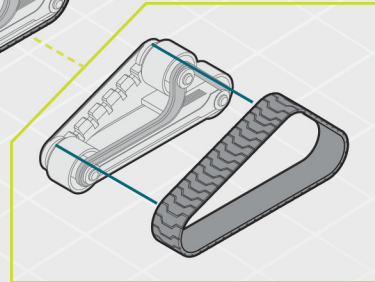
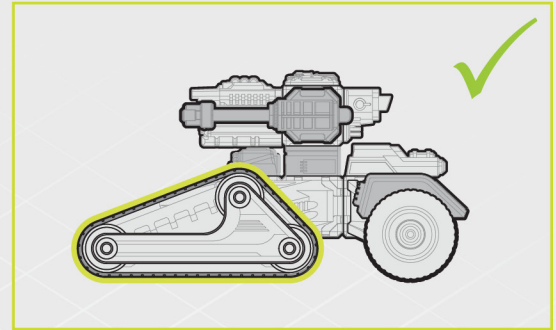
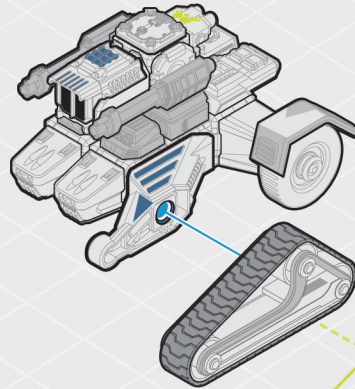
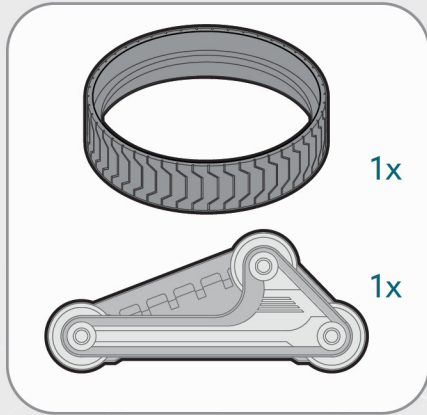


12

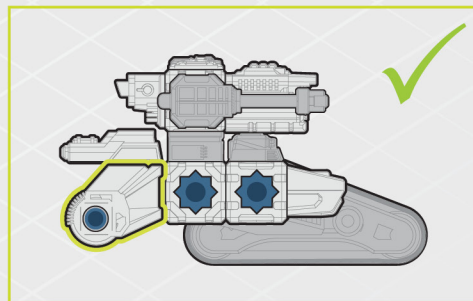
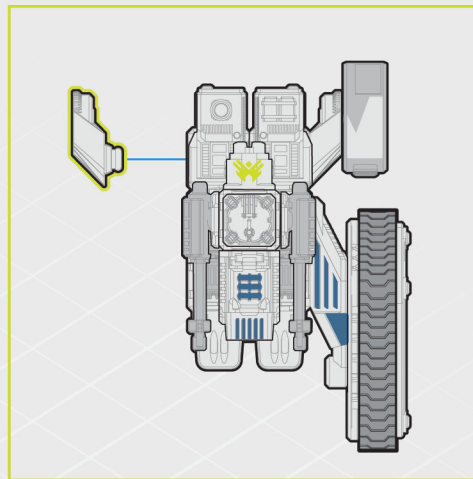
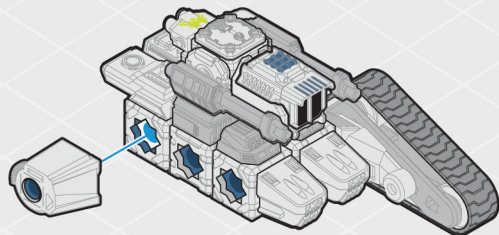
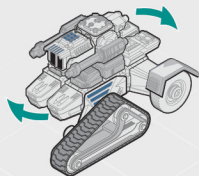


SCYTHER BUILD #1

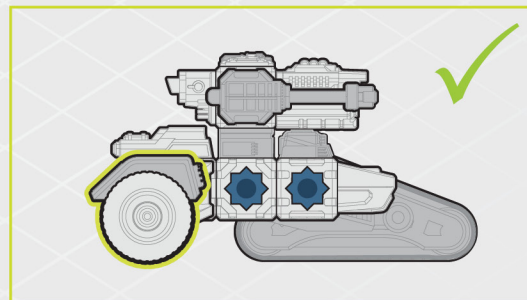
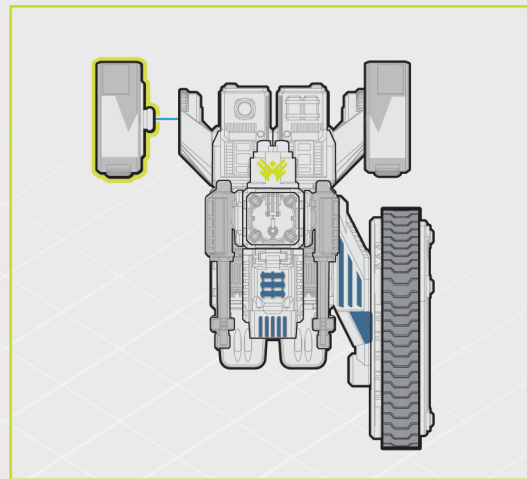
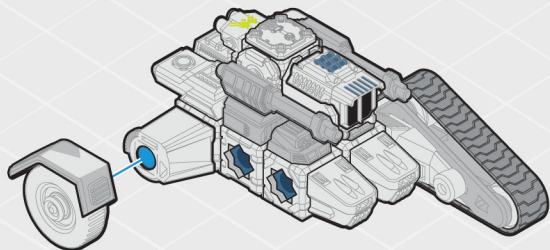
13



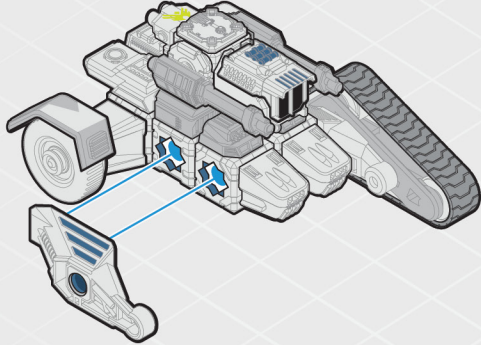
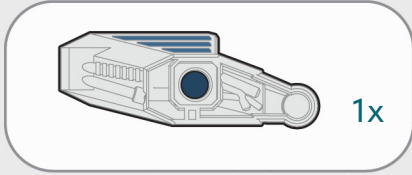
14



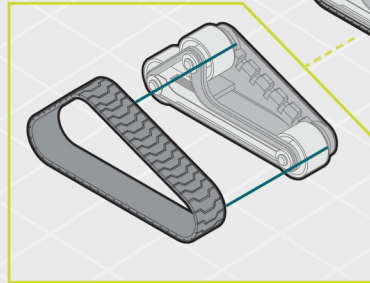
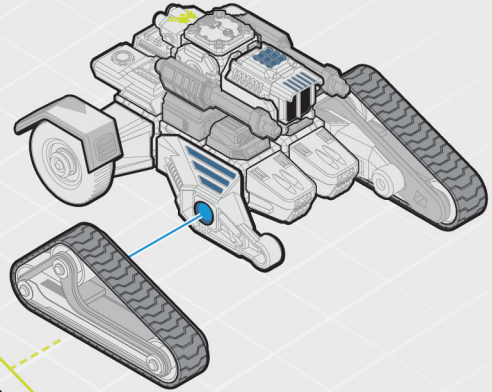
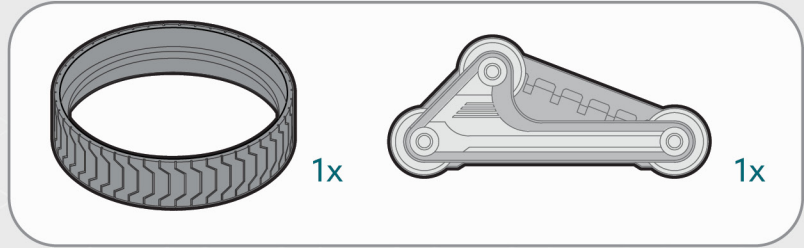
15



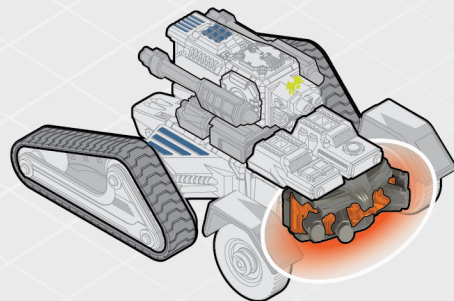
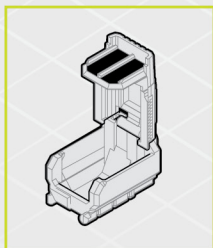
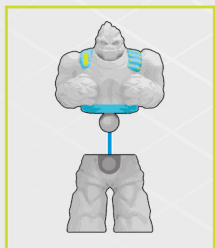
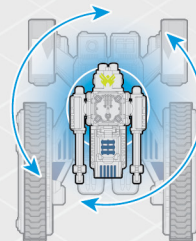
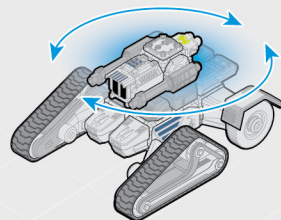
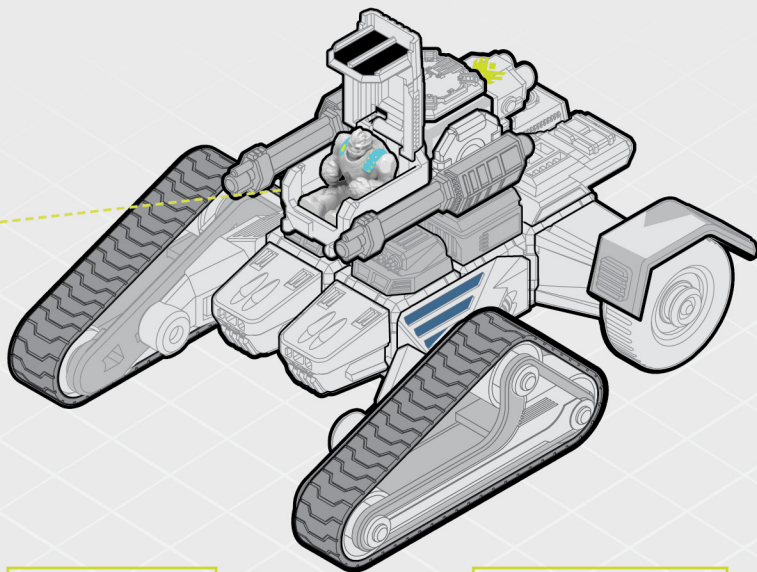
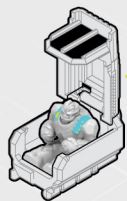
16



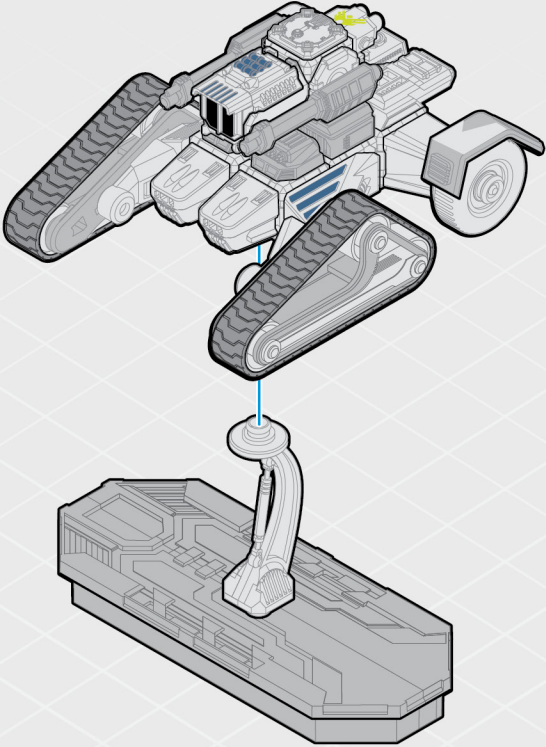
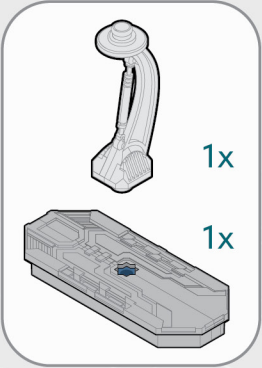
17



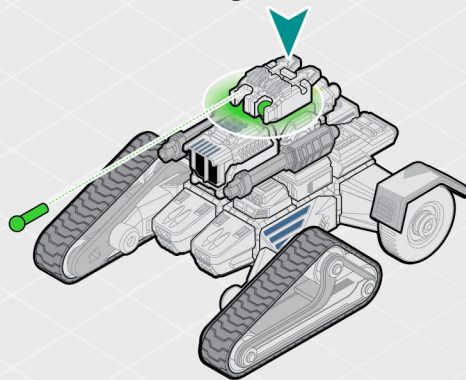
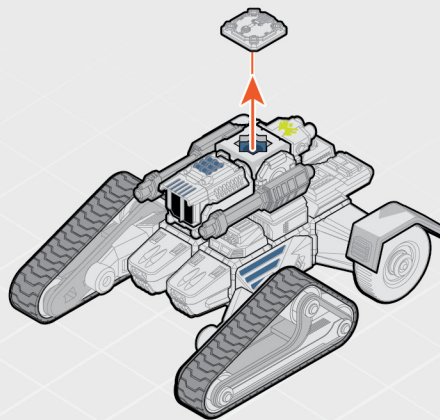
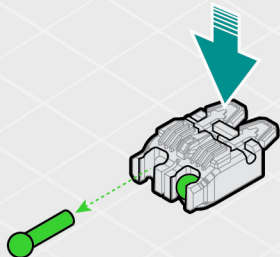
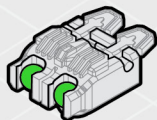
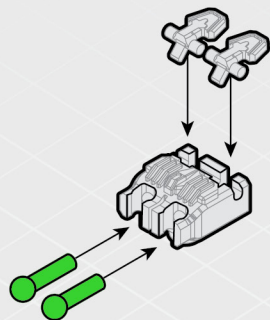
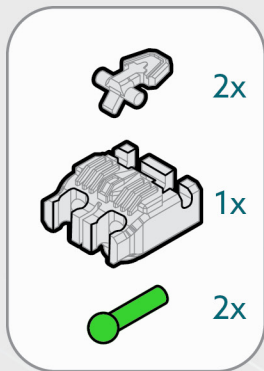
18



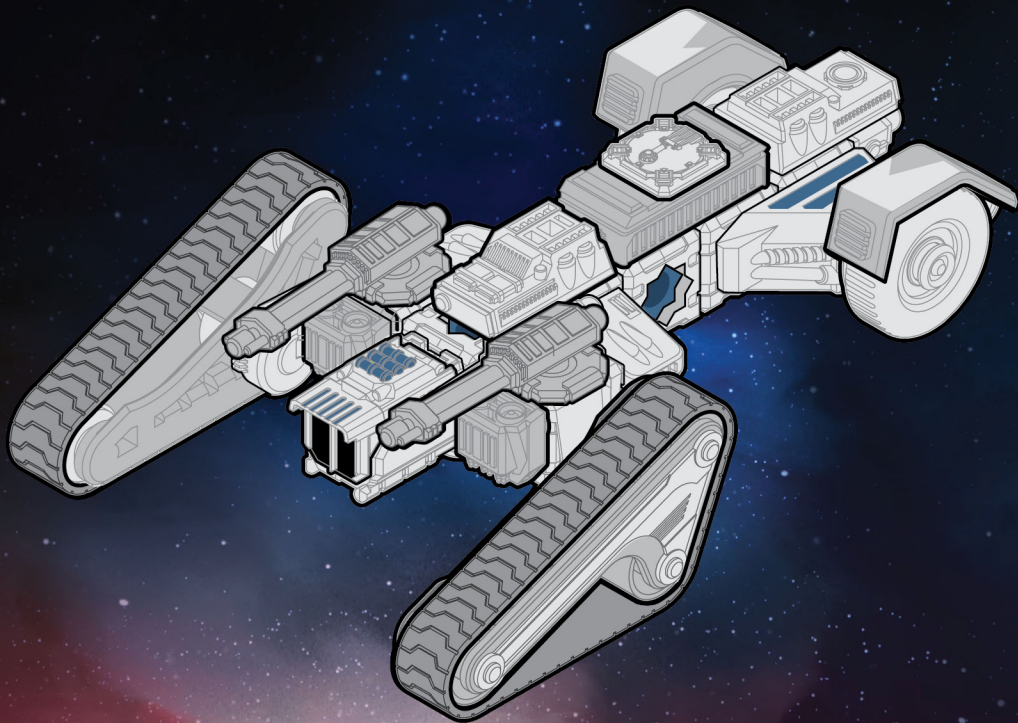
ACCESSORIES



Loading & Shooting Weapon



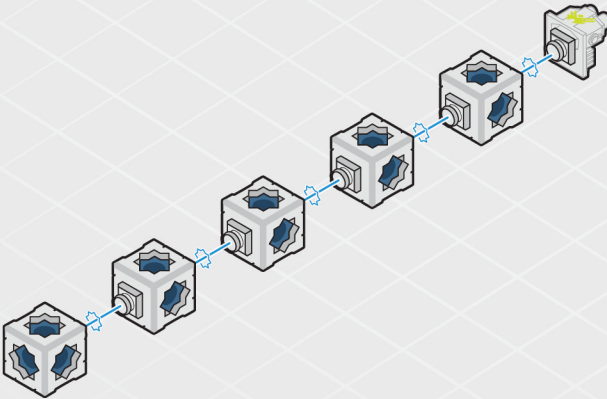
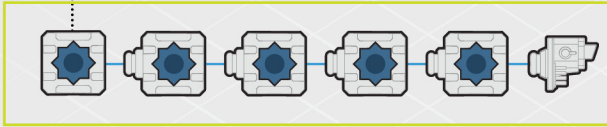
WARNING
DO NOT AIM AT EYES OR FACE



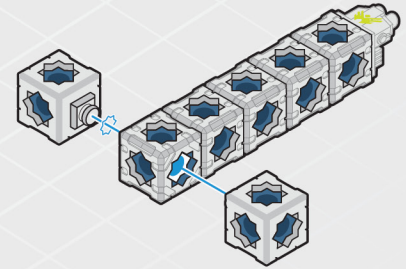
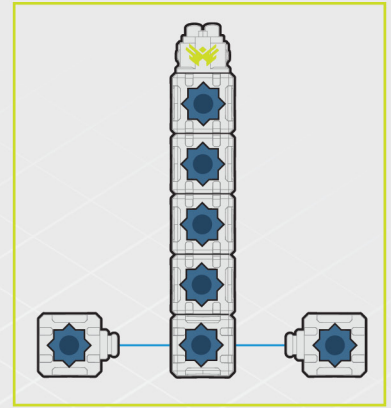
SCYTHER RF4 RECON VEHICLE

BUILD #2

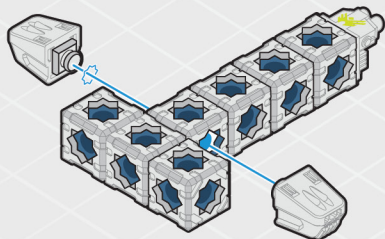
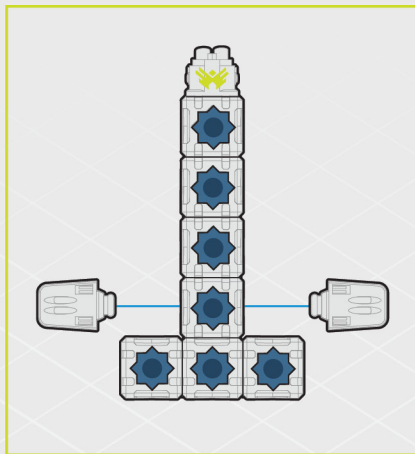
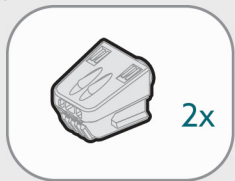
1



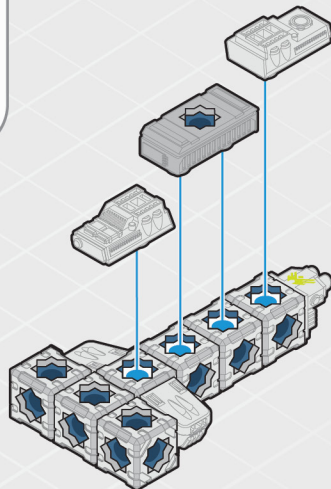
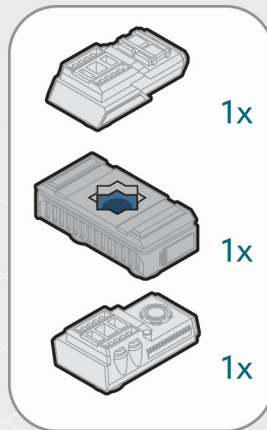
2



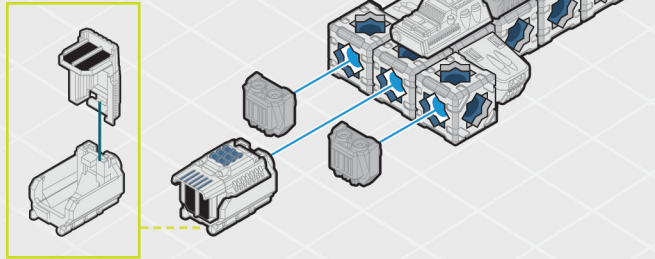
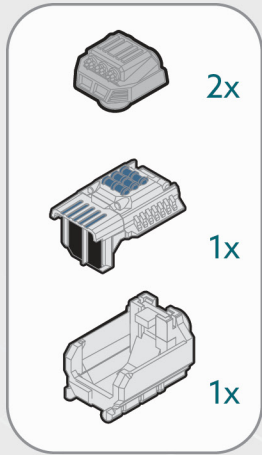
3



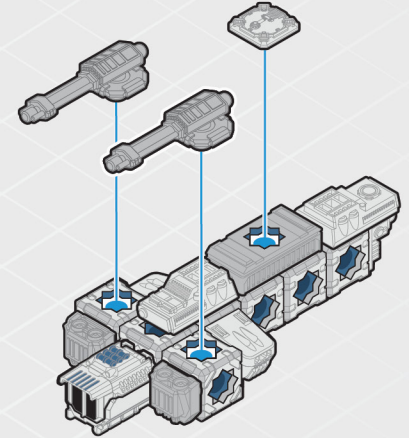
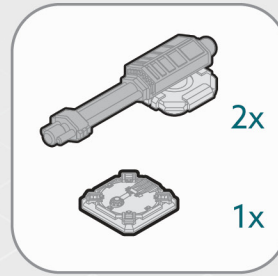
4



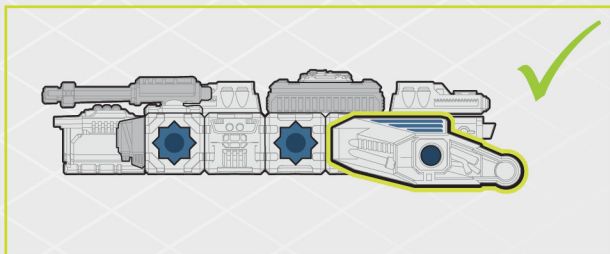
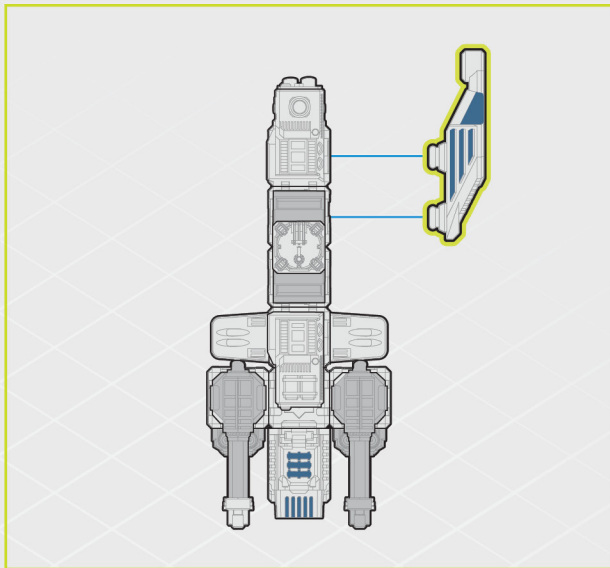
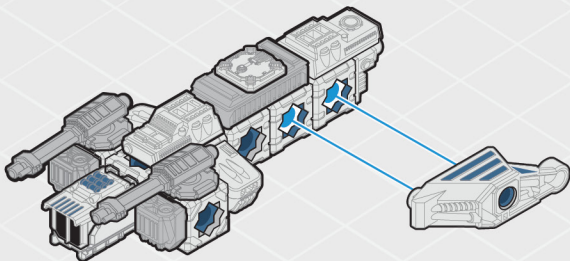
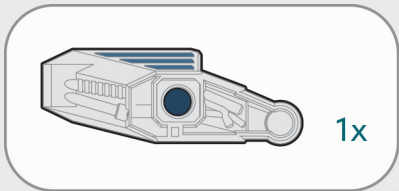
5



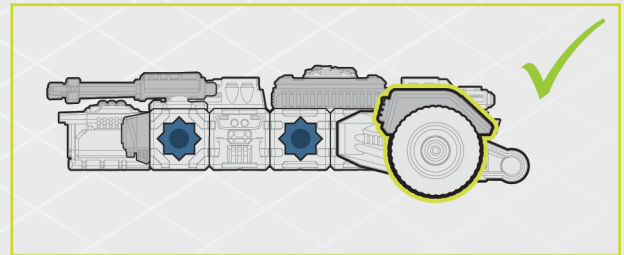
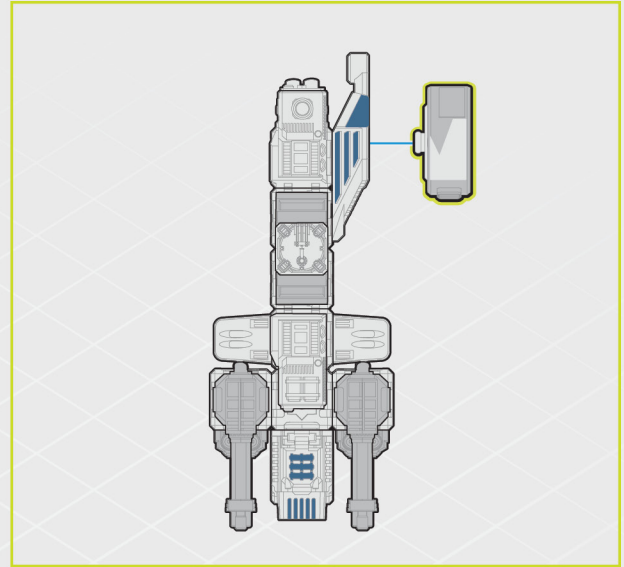
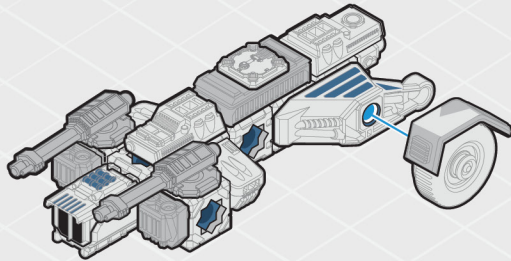
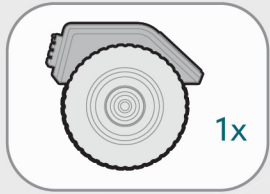
6



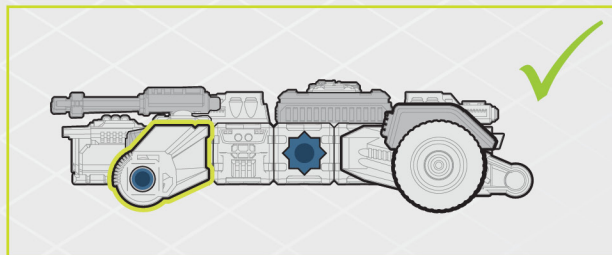
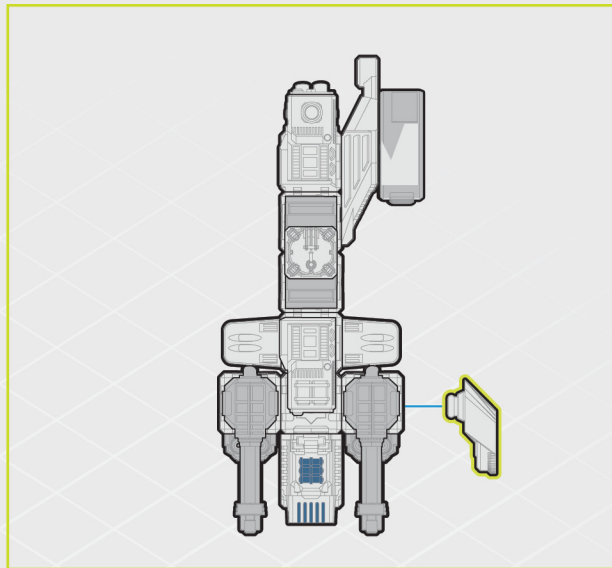
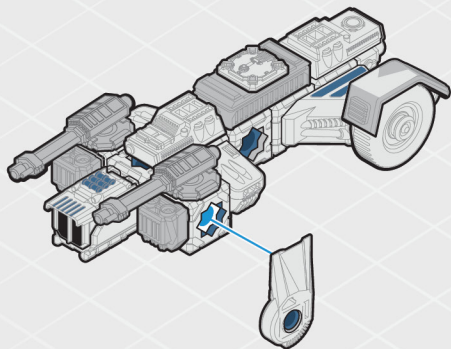
7



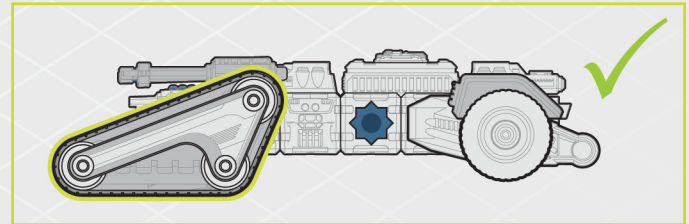
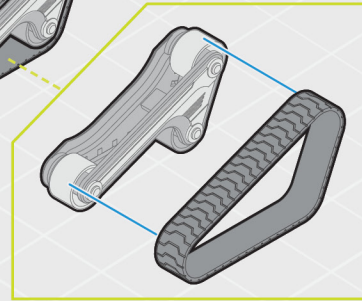
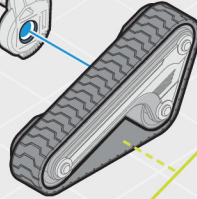
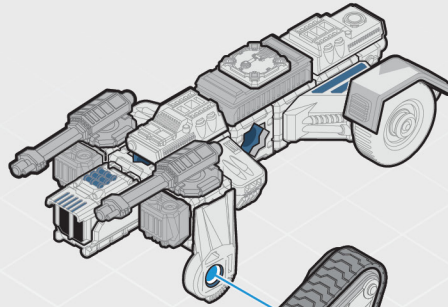
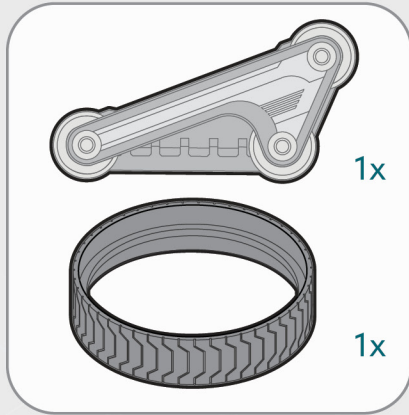
8



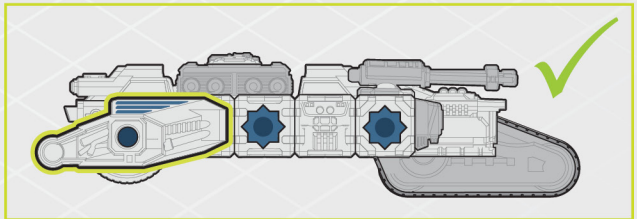
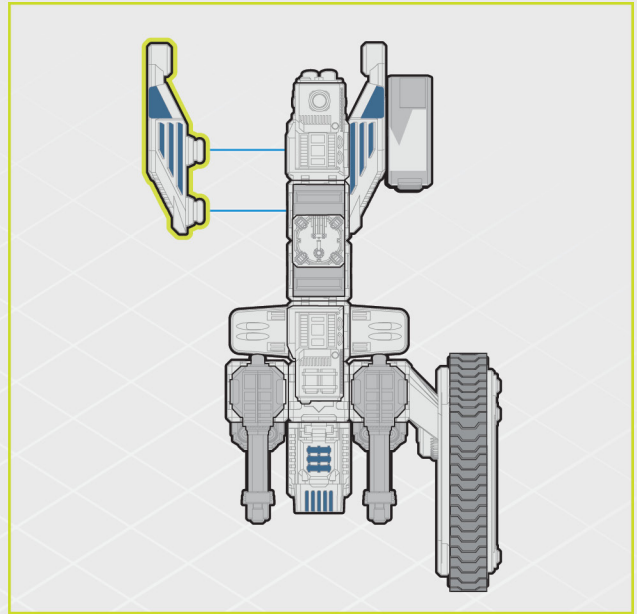
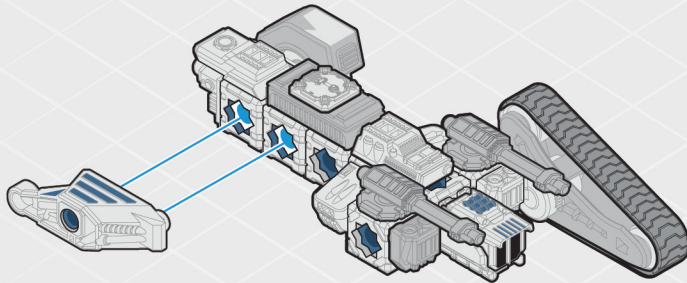
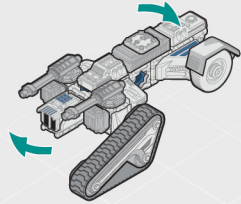
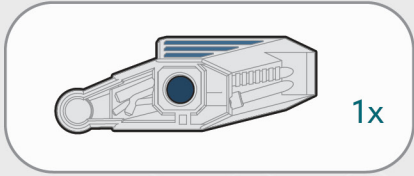
9



10

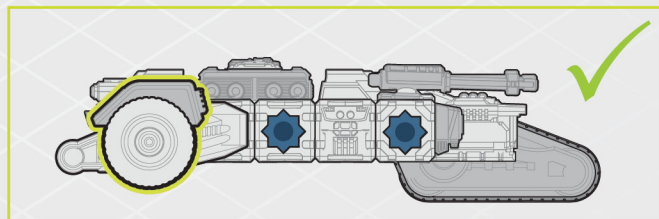
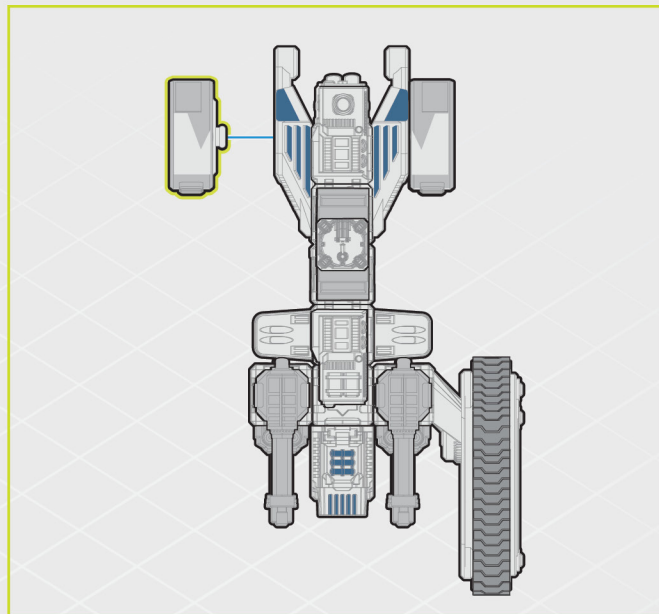
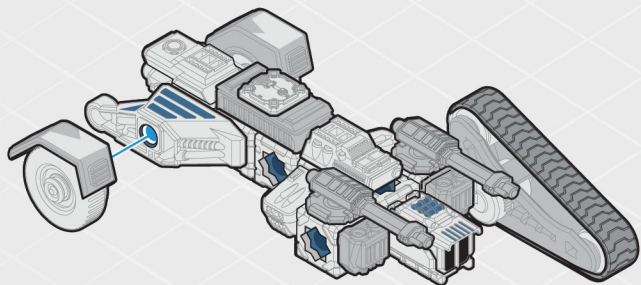


11

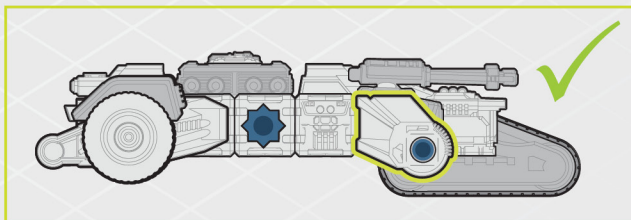
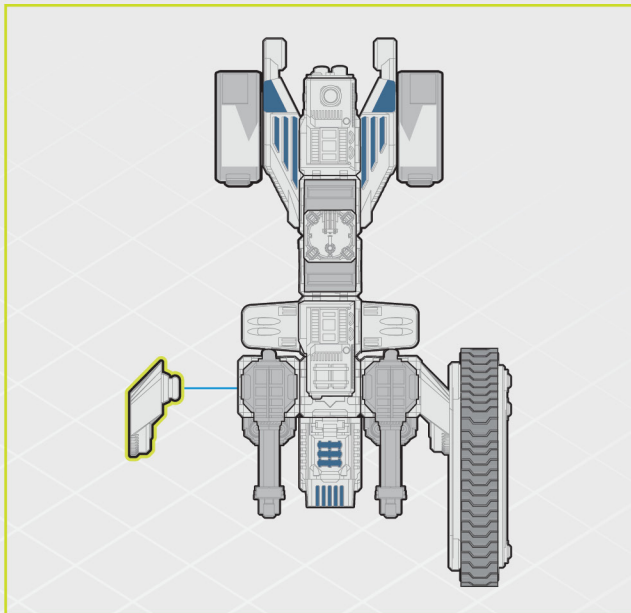
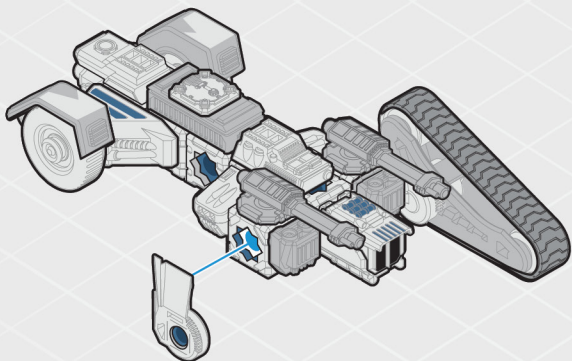


SCYTHE BUILD #2

12

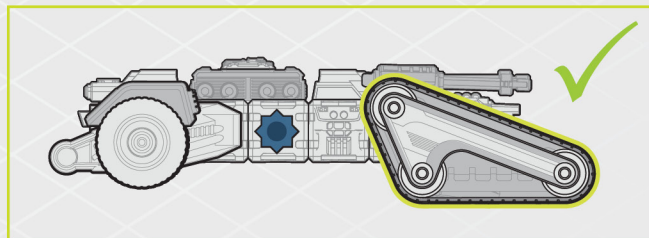
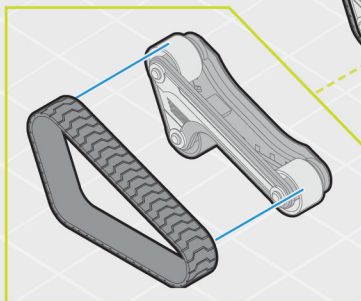
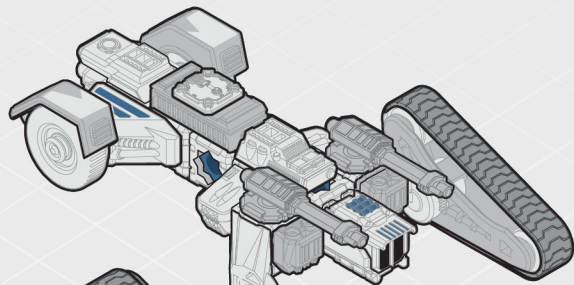
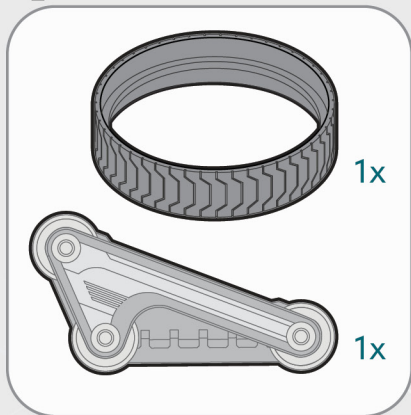


13

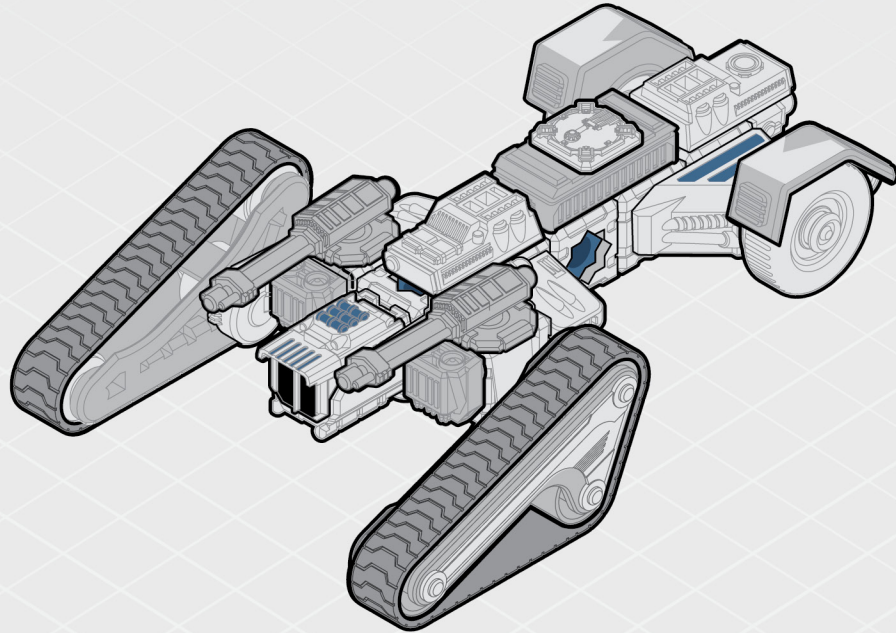


SCYTHE BUILD #2

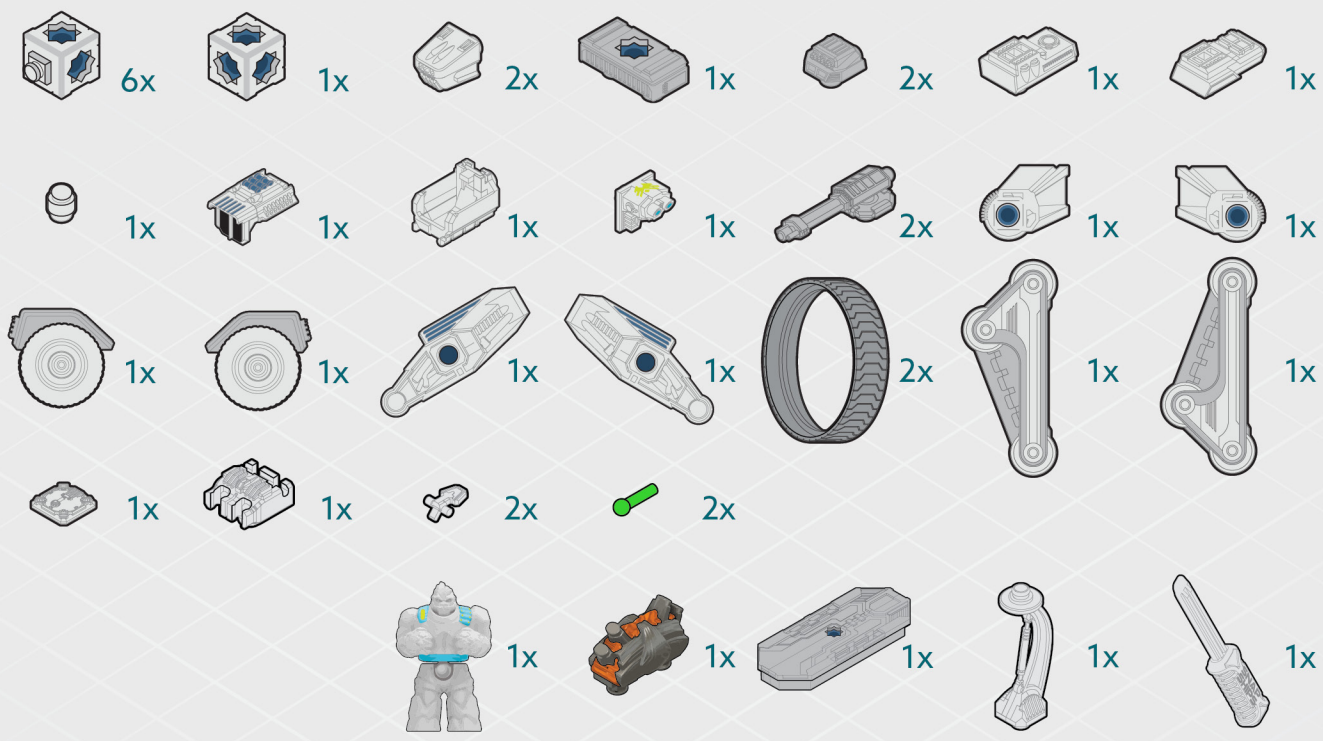
14



15



SCYTHE BUILD #2



COMPONENTS



COLLECT THEM ALL!



APP
Ask a Parent First.

Download the Snap Ships app for interactive builds and play



9504



www.snapships.com

Watch Dawn of Battle Now!

Instructions can be downloaded at:
snapships.com

If you have questions, please contact us.
800-524-4263 • Weekdays 8am to 5pm CST
playmonster.com

PlayMonster.



Copyright © 2020 PlayMonster LLC, 1400 E. Inman Pkwy., Beloit, WI 53511 USA. Made in China. All rights reserved. Snap Ships and Build to Battle are trademarks of Snap Ships, LLC. Parts and colors may vary from those shown. Snap Ships used under license. Copyright © 2020 Snap Ships, LLC. Invented by Scott Pease and Jeff Swenty.